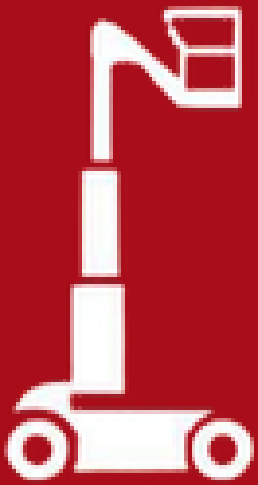


RElift

MAKE THE DIFFERENCE



www.relift.in | Info@relift.in

DIESEL ARTICULATED BOOM LIFT

• RED48AJ



STANDARD FEATURES

Hydraulic leveling platform

Over load Sensor

Tilt alarm

180° hydraulic rotation platform

5-inch super-scale colour screen

4 wheel brake

Rear inspect and driving confirm

Diagnosis system

Emergency brake release

Three joysticks gradual proportional control

Emergency stop system

4 wheel drive

Horn and buzzer safety warnings

Emergency lowering system

Foam filled tire

Flash light

Maximum tilt angle of 5°

Foot switch

Electric drive

Zero emissions

Environmental friendly

Smart Display Panel

Smooth & precise Movement

Low maintenance

Low-noise working environment

Floating bridge suspension

OPTIONS FEATURES

Platform swing gate

Hydraulic oil for extremely cold areas.

GPS

Platform alternate railing

Pipeline for extremely cold areas

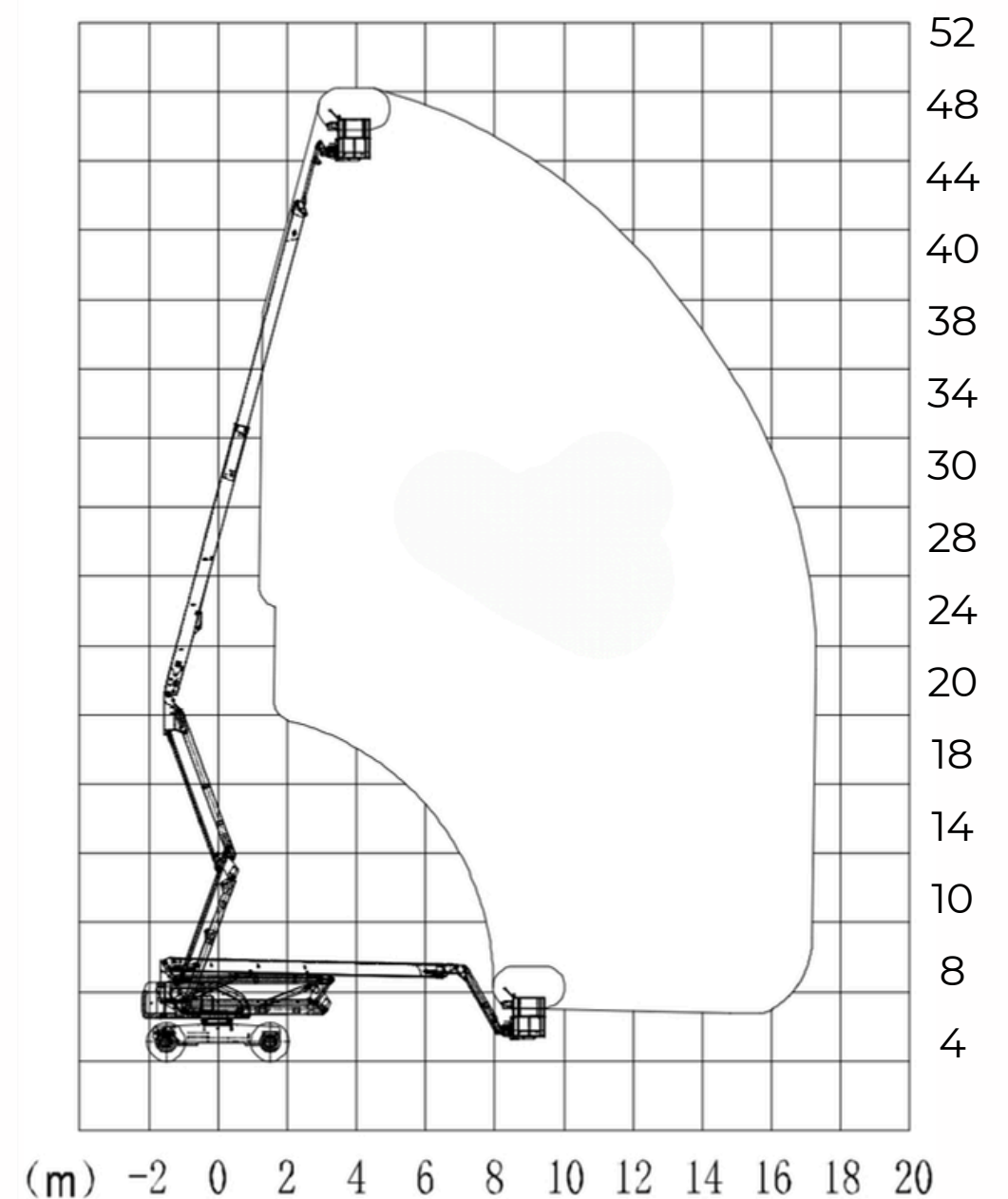
Hydraulic oil cooler

AC power source

TECHNICAL PARAMETERS

RED48AJ Boom Lift

MODEL	RED48AJ
TECHNICAL DATA	
Working height max	48 m
Platform height max	46 m
Horizontal outreach max	23.1 m
Up & over clearance max	19.5 m
Platform size L × W	2.43 × 0.91m
Length stowed jib stowed	11.6 m
Length stowed jib extended	14.7 m
Width axle retracted	2.5 m
Width axle extended	5.1 m
Height stowed	3.17 m
Wheelbase	5.6 m
Ground clearance	0.4 m
Weight	26110 kg
PERFORMANCE	
Max lift capacity	480 kg
Non-restricted lift capacity	230 kg
Max occupancy	2
Platform rotation	±90°
Jib vertical rotation	140°
Turntable rotation	360° Continuous
Drive speed stowed	5 km/h
Drive speed raised	1 km/h
Gradeability	40%
Max working slope (deg)	5°
Inside axle retracted turning radius	7.6 m
Inside axle extended turning radius	2.69 m
Outside axle retracted turning radius	10 m
Outside axle extended turning radius	7.08 m
Drive & steer	4×4×4
Tyre size	445/65-24
POWER SOURCES	
Engine power	74 kW @ 2200 rpm
Hydraulic oil tank	200 L
Fuel tank	250 L
Control voltage	24 V



RElift

MAKE THE DIFFERENCE

HEADQUARTERS

Office No. 103, 104 Plan S Business Park, Plot no D 108/1, opp. D.Y.Patil Stadium, MIDC Industrial Area, Nerul, Navi Mumbai, Maharashtra 400705
Mobile : +91- 7456025602



MEMBER OF
APAO
Aerial Platform Association of India

www.relift.in | Info@relift.in