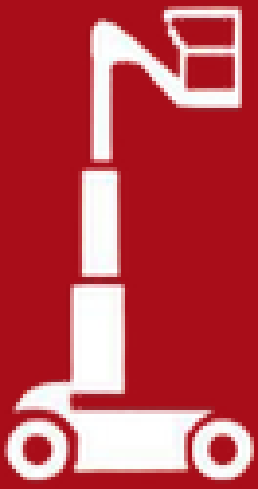


RElift

MAKE THE DIFFERENCE



www.relift.in | Info@relift.in

DIESEL ARTICULATED BOOM LIFT

• RED28AJ



STANDARD FEATURES

Hydraulic leveling platform

Over load Sensor

Tilt alarm

180° hydraulic rotation platform

5-inch super-scale colour screen

4 wheel brake

Rear inspect and driving confirm

Diagnosis system

Emergency brake release

Three joysticks gradual proportional control

Emergency stop system

4 wheel drive

Horn and buzzer safety warnings

Emergency lowering system

Foam filled tire

Flash light

Maximum tilt angle of 5°

Foot switch

Electric drive

Zero emissions

Environmental friendly

Smart Display Panel

Smooth & precise Movement

Low maintenance

Low-noise working environment

Floating bridge suspension

OPTIONS FEATURES

Platform swing gate

Hydraulic oil for extremely cold areas.

GPS

Platform alternate railing

Pipeline for extremely cold areas

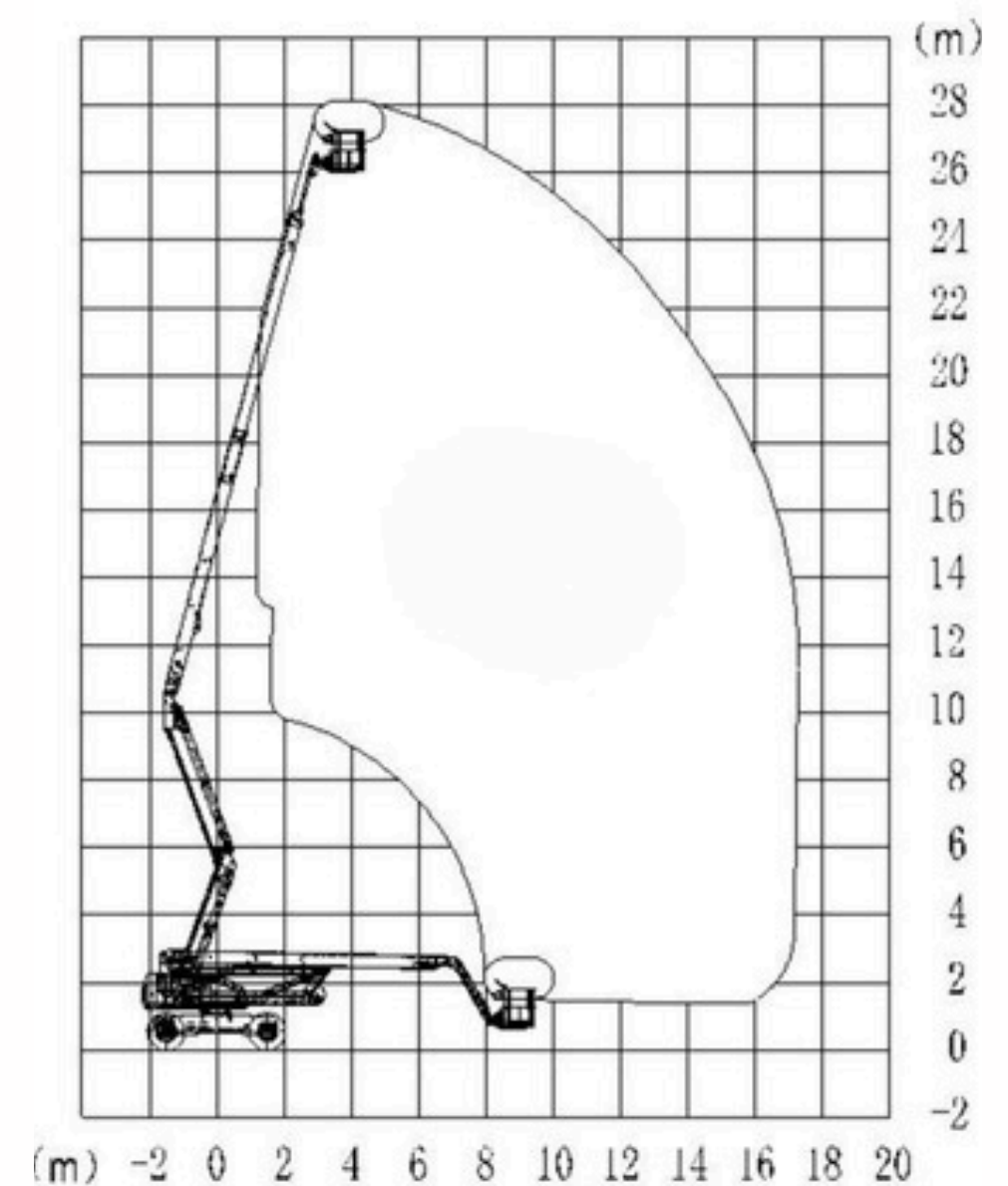
Hydraulic oil cooler

AC power source

TECHNICAL PARAMETERS

RED28AJ Boom Lift

MODEL	RED28AJ
TECHNICAL DATA	
Working height max	28.1 m
Platform height max	26.1 m
Horizontal outreach max	17.2 m
Up & over clearance max	10.2 m
Platform size (L×W)	2.4 × 0.9 m
Length stowed	11.6 m
Width stowed	2.58 m
Height stowed	2.97 m
Wheelbase	3 m
Ground clearance (center)	0.43 m
Weight	17000 kg
PERFORMANCE	
Max lift capacity	230 kg
Platform rotation	2.1
Platform rotation angle	±90°
Jib vertical rotation	135°
Turntable rotation	360° Continuous
Drive speed stowed	5 km/h
Drive speed raised	1.2 km/h
Gradeability	40%
Max working slope	5°
Inside turning radius	2.59 m
Outside turning radius	6.1 m
Drive & steer	4×2×2
Tyre size	385/65-22.5
POWER SOURCES	
Engine type / power	36 kW @ 2200 rpm
Hydraulic oil tank	151 L
Fuel tank	160 L
Control voltage	12 V



RElift

MAKE THE DIFFERENCE

HEADQUARTERS

Office No. 103, 104 Plan S Business Park, Plot no D 108/1, opp. D.Y.Patil Stadium, MIDC Industrial Area, Nerul, Navi Mumbai, Maharashtra 400705
Mobile : +91- 7456025602



www.relift.in | Info@relift.in