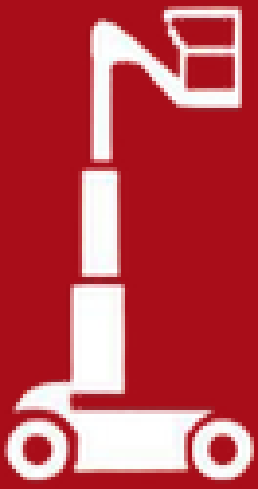


RElift

MAKE THE DIFFERENCE



www.relift.in | Info@relift.in

BOOM LIFT

• RE29AJLi



STANDARD FEATURES

Hydraulic leveling platform

180* hydraulic rotation platform

Rear inspect and driving confirm

Three joysticks gradual proportional control

Horn and buzzer safety warnings

Flash light

Over load Sensor

5-inch super-scale colour screen

Diagnosis system

Emergency stop system

Emergency brake release

Emergency lowering system

Tilt alarm

4 wheel brake

Foam filled tire

Foot switch

Maximum tilt angle of 5°

Strong off-road capability

Long battery endurance

Compact structural design

Lithium power system

Environmentally friendly

Zero emission

Anti-extrusion device

Wide operating range

High torque drive

OPTIONS

Platform swing gate

Platform alternate railing

Hydraulic oil cooler

Hydraulic oil for extremely cold areas

Lifting device (260kg capacity)

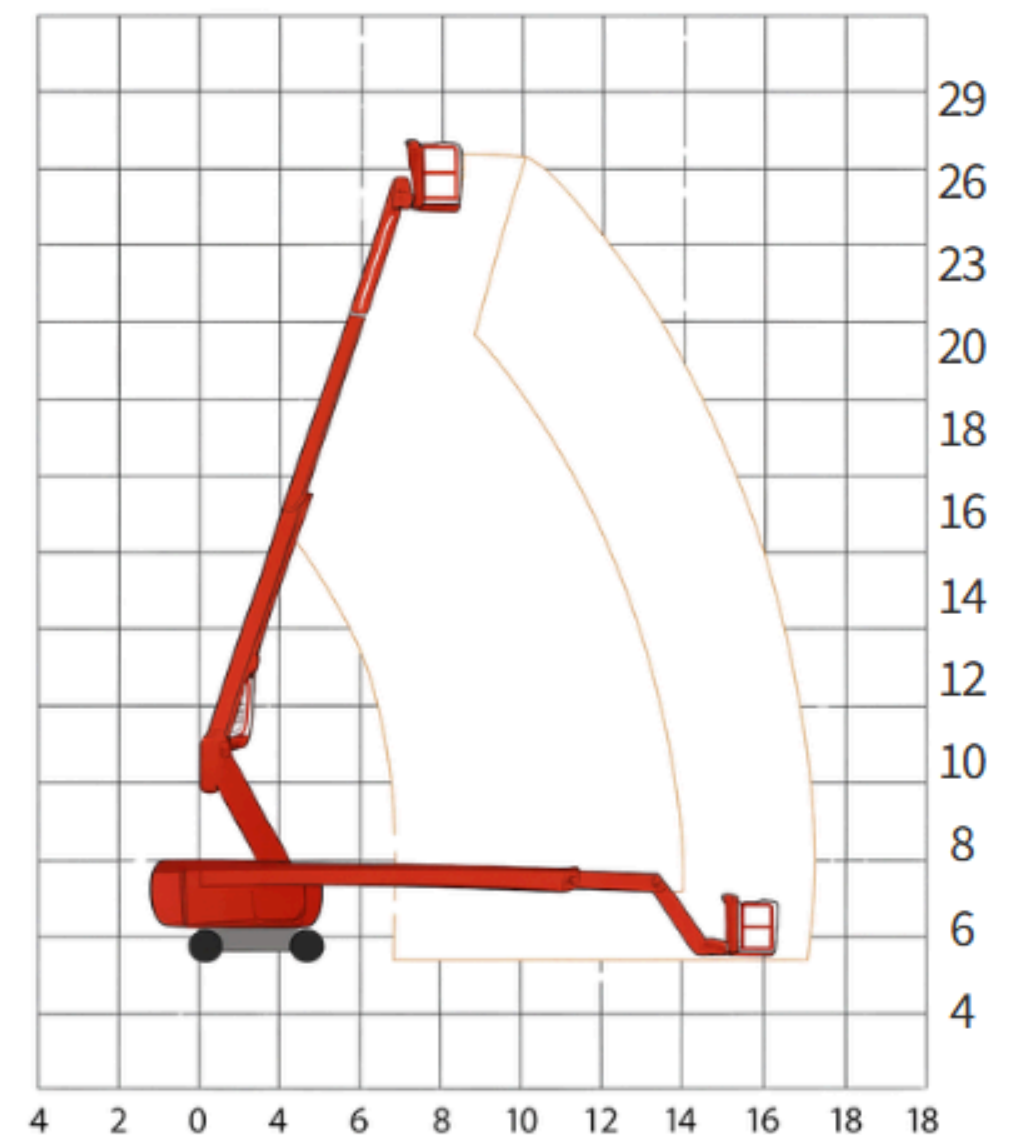
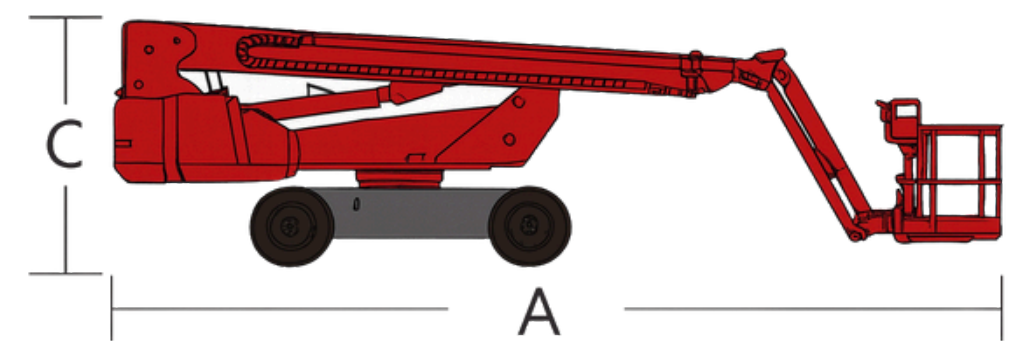
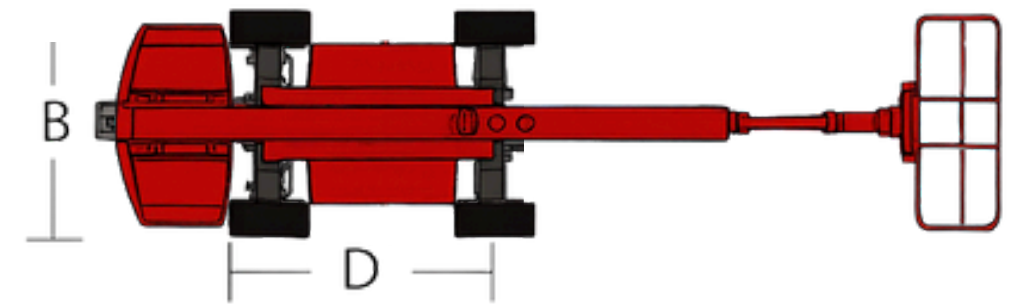
Anti-collision kit for the platform

GPS

TECHNICAL PARAMETERS

RE29AJLi Boom Lift

MODEL	RE29AJ Li
TECHNICAL DATA	
Working height	28.6 m
Platform height	26.6 m
Outreach	16.8 m / 18.9 m
Horizontal work amplitude	17.4 m / 19.5 m
A Length (stowed)	11.5 m
B Width (stowed)	2.48 m
C Height (stowed)	2.84 m
C Wheelbase	3 m
Ground clearance	0.3 m
Platform size (L×W×H)	2.43 × 0.9 × 1.1 m
Total weight	13500 kg
PERFORMANCE	
Lift capacity	454 kg / 300 kg
Drive speed (stowed)	5.0 km/h
Drive speed (raised)	1.0 km/h
Gradeability (4WD)	40%
Turntable rotation position	360° Continuous
Platform rotation	180°
Turning radius	3.6 m / 6.8 m
Turntable tailswing	2.4 m
Tire specification / Type	36 × 14-20 (solid tire)
POWER SOURCES	
Driving / Steering	4 × 2
Hydraulic tank capacity	180 L
Battery	80V 460Ah (Lithium battery)
Charger	100–240V AC / 80A



RElift

MAKE THE DIFFERENCE

HEADQUARTERS

Office No. 103, 104 Plan S Business Park, Plot no D 108/1, opp. D.Y.Patil Stadium, MIDC Industrial Area, Nerul, Navi Mumbai, Maharashtra 400705
Mobile : +91- 7456025602



www.relift.in | Info@relift.in