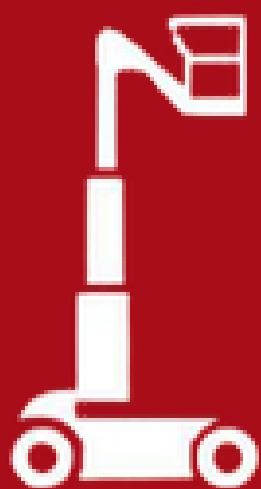
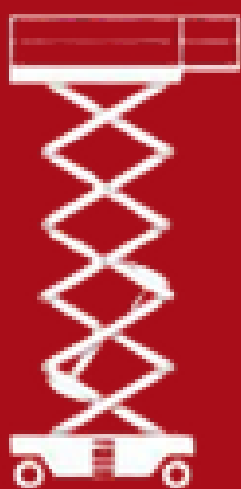


# RElift

MAKE THE DIFFERENCE



[www.relift.in](http://www.relift.in) | [Info@relift.in](mailto:Info@relift.in)

## BOOM LIFT

- **RE17AJ**
- **RE17AJLi**



### STANDARD FEATURES

- Hydraulic levelling platform
- Mechanical release of driving brake
- Horn and buzzer safety warnings
- Automotive grade full tube sheath protection
- Platform rotation
- Maximum tilt angle of 3°
- Tilt alarm
- Over load Sensor
- Flash light
- Emergency stop system
- Emergency lowering system
- Diagnosis system
- 230 kg platform load capacity
- Compact and ergonomic structure
- Low-noise working environment
- Environmentally friendly
- Long-lasting lithium battery system
- Zero emission
- Easy operation in narrow spaces
- Electric drive
- Sustainable design for indoor use
- Dual drive configuration
- Tilt stability control
- 40L hydraulic tank

### OPTIONS

- AC wining to platform
- Manual Box
- Non-marking solid tires
- T-BOX (GPS)

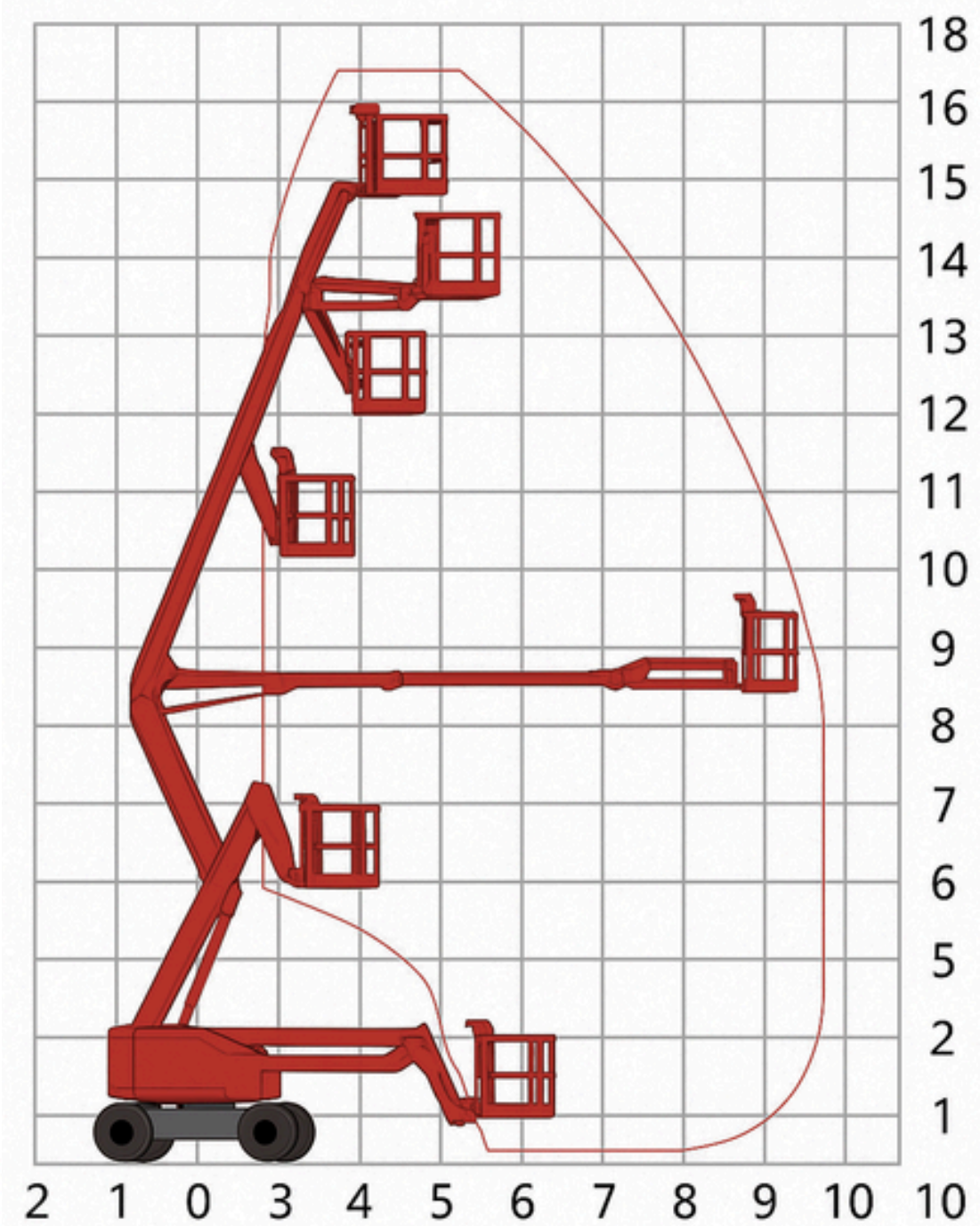
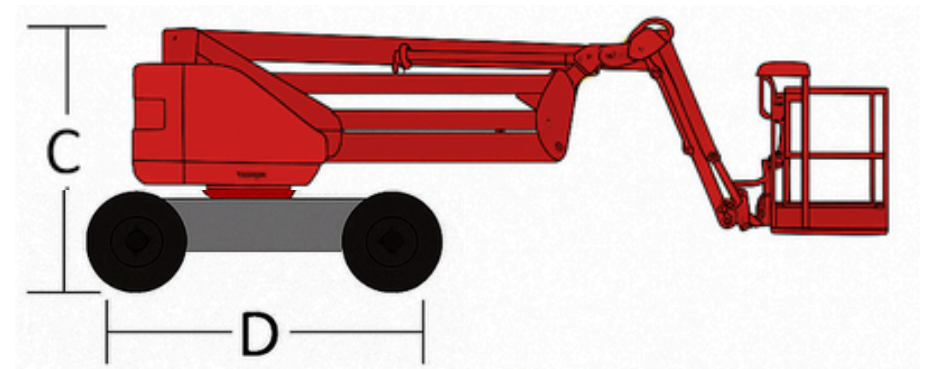
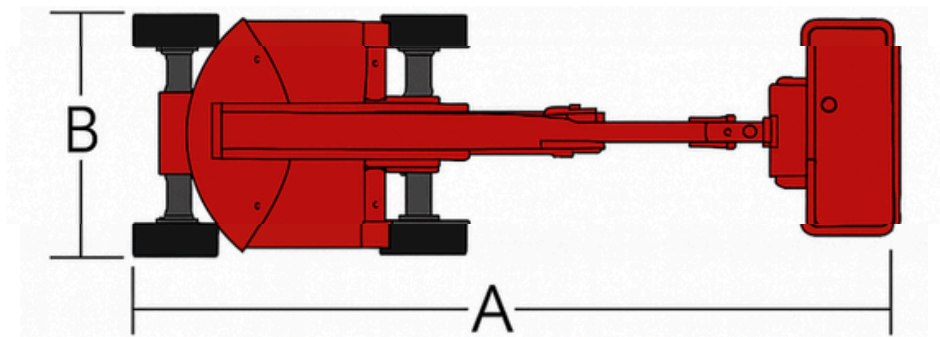


# TECHNICAL PARAMETERS

# RE17AJ-17AJLi

## Boom Lift

MODEL	RE17AJ-17AJ Li
<b>TECHNICAL DATA</b>	
Max. working height	17.15 m
Max. platform height	15.15 m
Max. outreach	8.37 m
Max. up and over clearance	7.65 m
Length (stowed)	6.78 m
Width (stowed)	2.30 m
Height (stowed)	2.25 m
Wheelbase	2.32 m
Ground clearance	0.33 m
Platform size (L × W × H)	1.8 × 0.75 × 1.1 m
Total weight	7500 kg
<b>PERFORMANCE</b>	
Lift capacity	300 kg
Turntable rotation	360° Continuous
Platform rotation	0 / 180°
Drive speed (stowed)	5 km/h
Drive speed (raised)	1 km/h
Gradeability	30%
Turning radius (inside)	1.1 m
Turning radius (outside)	3.5 m
Turntable tail swing	0
Max. tilt angle (front/back – side/side)	5° / 3°
Drive / steering wheels number	2 × 2
Tyre specification / type	600 × 190 (solid tyre)
<b>POWER SOURCES</b>	
Battery specification	DC48 V / 320 Ah
Voltage	DC 12 V
Hydraulic tank capacity	40 L



# RElift

MAKE THE DIFFERENCE

## HEADQUARTERS

Office No. 103, 104 Plan S Business Park, Plot no D 108/1, opp. D.Y.Patil Stadium, MIDC Industrial Area, Nerul, Navi Mumbai, Maharashtra 400705  
Mobile : +91- 7456025602



MEMBER OF

**APAO**

Aerial Platform Association of India

[www.relift.in](http://www.relift.in) | [Info@relift.in](mailto:Info@relift.in)